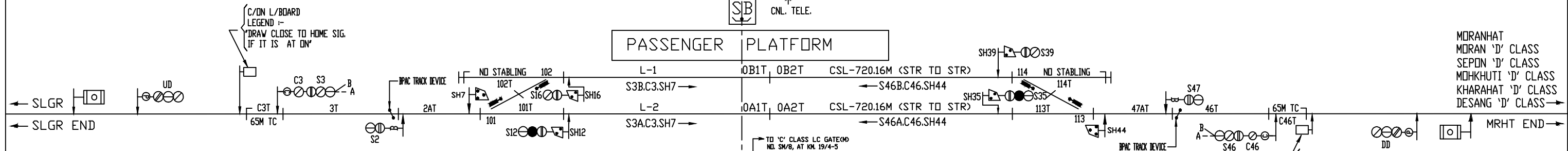


### SIBSAGAR TOWN ('B' CLASS/STD.II(R)/EI) KM.-15.80 FROM SLGR

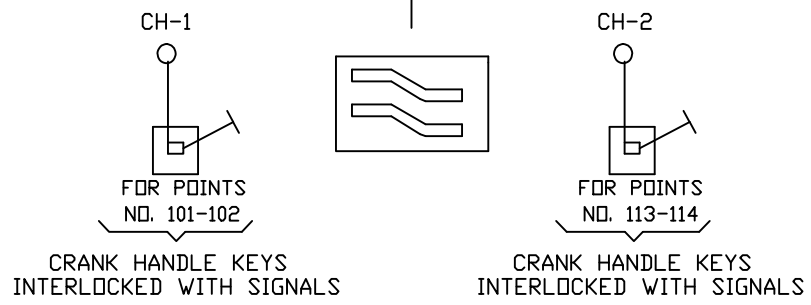
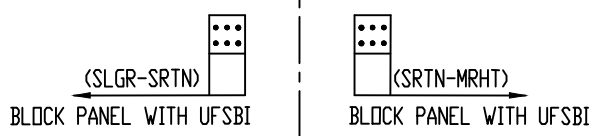
UP →

SIB  
CNL. TELE.

PASSENGER PLATFORM



- TO 'C' CLASS LC GATE@D  
NO. SM/8, AT KM. 19/4-5
- TO 'C' CLASS LC GATE@D  
NO. SM/9, AT KM. 21/6-7
- TO 'C' CLASS LC GATE@D  
NO. SM/10, AT KM. 30/6-7
- TO 'C' CLASS LC GATE@D  
NO. SM/11, AT KM. 33/3-4
- TO 'C' CLASS LC GATE@D  
NO. SM/12, AT KM. 34/5-6



MORANHAT  
MORAN 'D' CLASS  
SEPON 'D' CLASS  
MOHKHUTI 'D' CLASS  
KHARAHAT 'D' CLASS  
DESANG 'D' CLASS

C/DN L/BOARD  
LEGEND :-  
'DRAW CLOSE TO HOME SIG.  
IF IT IS AT DN'

DESANG (D' CLASS)

KM.- 25.65



3

KHARAHAT ('D' CLASS)

KM.- 31.41



4

MOHKHUTI ('D' CLASS)

KM.- 38.35



SEPON ('D' CLASS)  
KM.- 43.05



6

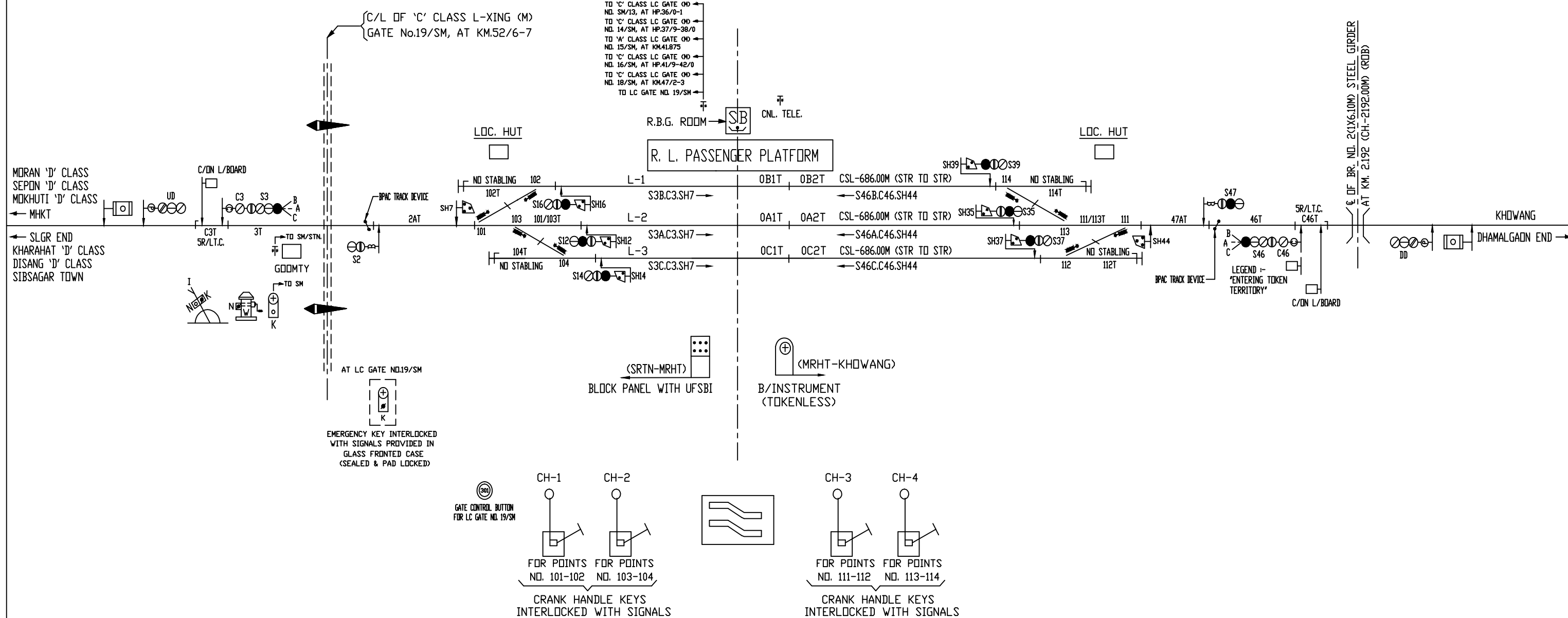
MORAN (D' CLASS)

KM.- 47.96



### MORANHAT ('B' CLASS/STD.II(R)/PI) KM.-53.61 FROM SIMALUGURI STN.

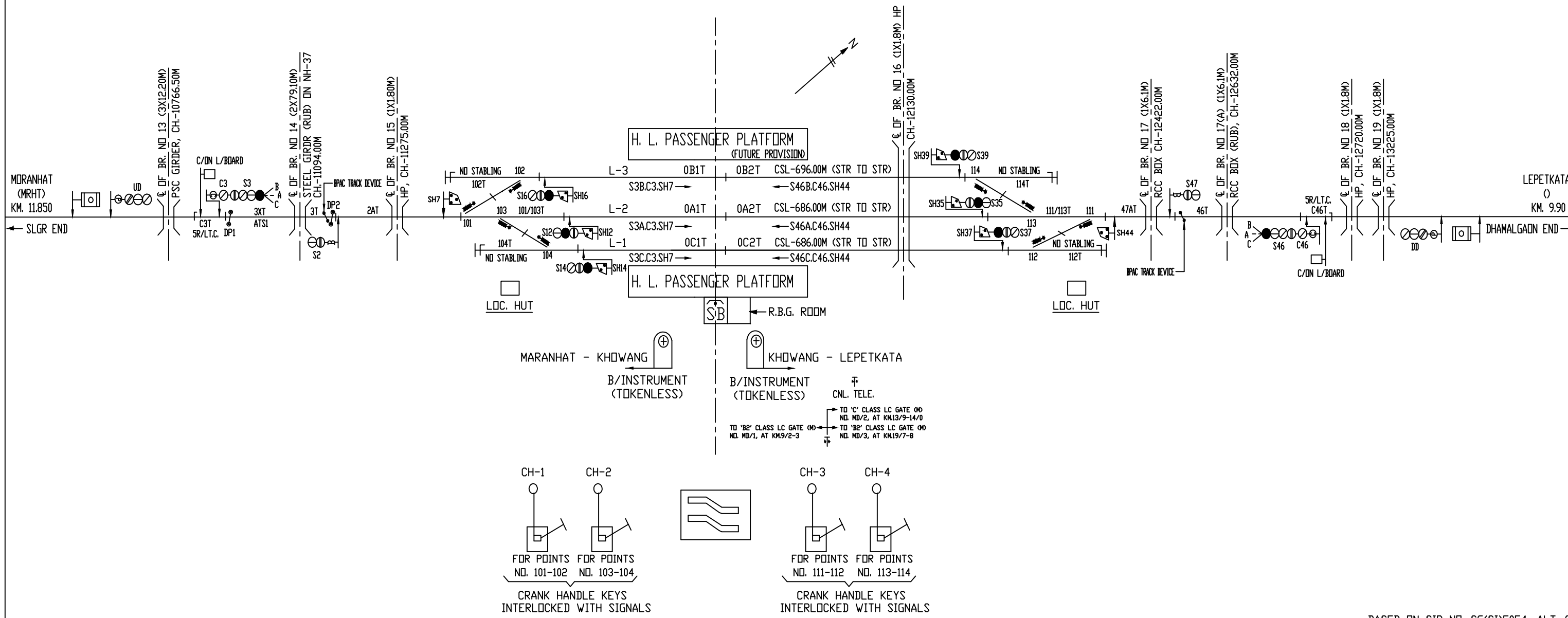
UP →



BASED ON SIP NO. SG(SI)5053, ALT.-L

**KHOWANG** (C'B' CLASS/STD.II(R)/PI)  
KM.-11.850 FROM MARANHAT STN.

UP →



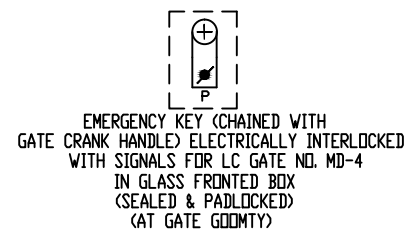
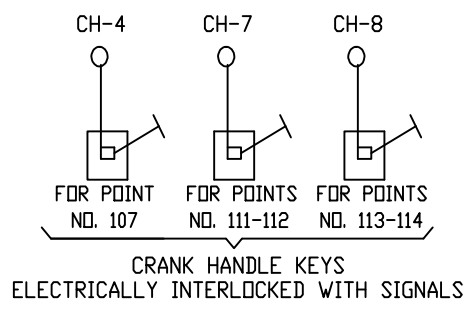
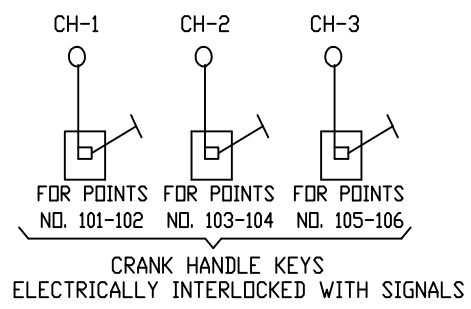
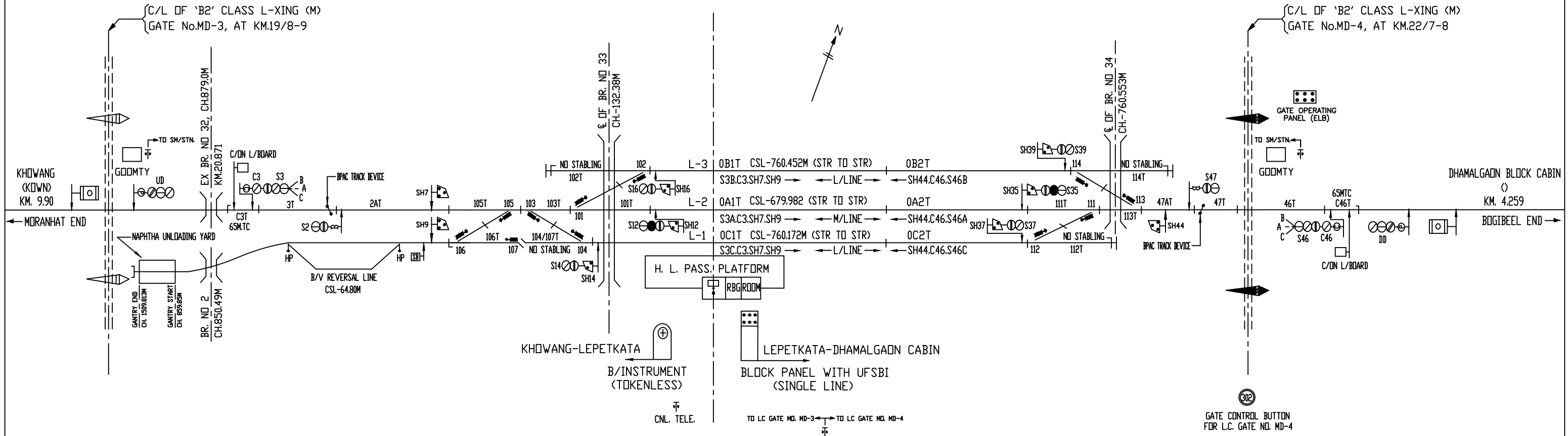
BASED ON SIP NO. SG(SI)5054, ALT.-G



### LEPETKATA ('B' CLASS/STD.II(R)/E.I)

KM.-21.750 FROM MARANHAT STN.

UP →



CL OF CABIN BLDG.  
KM-19/022 (FROM CL OF CKW STN.)

DHAMALGAON JN. ('B' CLASS/STD-II(R)/ED)  
KM-15.800 (FROM CL OF CKW STN.)

BLOCK CABIN ← → C/PANEL

TANGANI  
KM.-16.65  
DHAMALGAON CABIN  
KM.-3.222

HIGH LEVEL PASSENGER PLATFORM

HIGH LEVEL PASSENGER PLATFORM

DIBRUGARH (DBRG) KM.-13.20

